

# BRAZED PLATE HEAT EXCHANGER

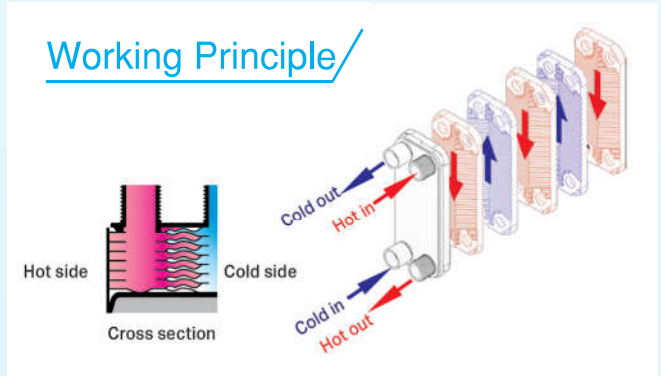


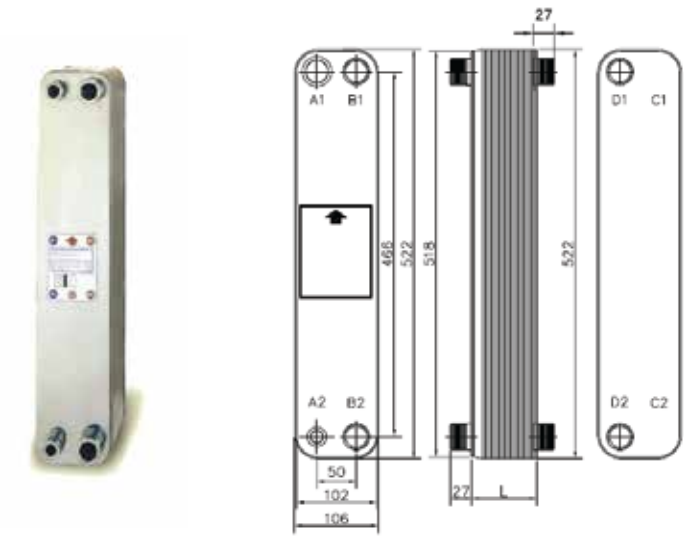
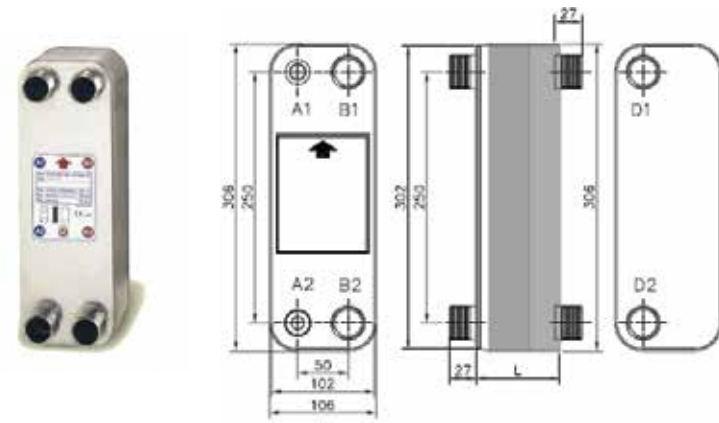
- Long life time durability
- Corrosion-resistance
- High thermal transfer efficiency
- Compact, easy installation
- Proven and reliable quality
- Flexible flows and temp. monitor option



Kaori professionals in heat transfer solution are constantly developing high quality brazed plate heat exchanger.

We select high grade stainless steel and brazing material to design corrugated chevron plates, and braze perfectly to provide the best fit heat transfer solutions to each client who results in lower energy usage and costs. Our innovative thermal solutions heat exchanger provides comprehensive quality, high performance, reliable, cost-competitive products to remain the heating and cooling industry's trusted partner.



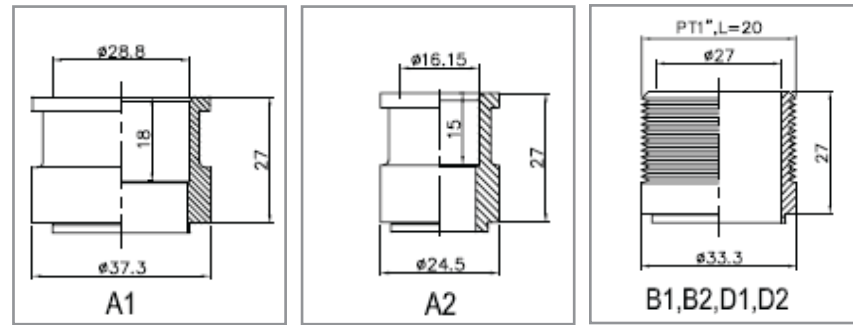


**Kaori K050 BPHE**

Model		Design Pressure/ Test Pressure	Working Temp.	Total Heat Transfer Area (m <sup>2</sup> )	L (mm)	Weight (kg)	Total Volume (L)
Copper Brazing	K050*16 C/B	30 bar / 43 bar	-160 C~ 200 C	0.357	48.08	3.05	0.825
	K050*22 C/B			0.51	62.36	3.74	1.155
	K050*40 C/B			0.969	105.2	5.83	2.145

Solder Connector	
Refrigerant in	5/8"
Refrigerant out	1-1/8"

Treaded Connector	
Water in	PT1" Male
Water out	PT1" Male



**Kaori K095 BPHE**

Model		Design Pressure/ Test Pressure	Working Temp.	Total Heat Transfer Area (m <sup>2</sup> )	L (mm)	Weight (kg)	Total Volume (L)
Copper Brazing	K095*28 C/B	30 bar / 43 bar	-160 C~ 200 C	1.235	77.64	8.542	2.565
	K095*40 C/B			1.805	106.2	10.99	3.705
	K095*58 C/B			2.66	149	14.662	5.415
	K095*68 C/B			3.135	172.8	16.702	6.365
	K095*76 C/B			3.515	191.9	18.334	7.125
	K095*84 C/B			3.895	210.9	19.966	7.885

\*\* Nickel Brazing also available. Please contact.

**Kaori K205 BPHE**

Model		Design Pressure/ Test Pressure	Working Temp.	Total Heat Transfer Area (m <sup>2</sup> )	L (mm)	Weight (kg)	Total Volume (L)
Copper Brazing	K205*40 C/V	30 bar / 43 bar	-160 C~ 200 C	4.176	110	26.5	9.048
	K205*60 C/V			6.374	158	36.1	13.688
	K205*80 C/V			8.572	206	45.7	18.328
	K205*100 C/V			10.77	254	55.3	22.968
	K205*120 C/V			12.968	302	64.9	27.608
	K205*140 C/V			15.166	350	74.5	32.248
	K205*160 C/V			17.364	398	84.1	36.888

Solder Connector	
Refrigerant in	7/8"
Refrigerant out	1-5/8"

Treaded Connector	
Water in	PT1-1/2" Male
Water out	PT1-1/2" Male

